

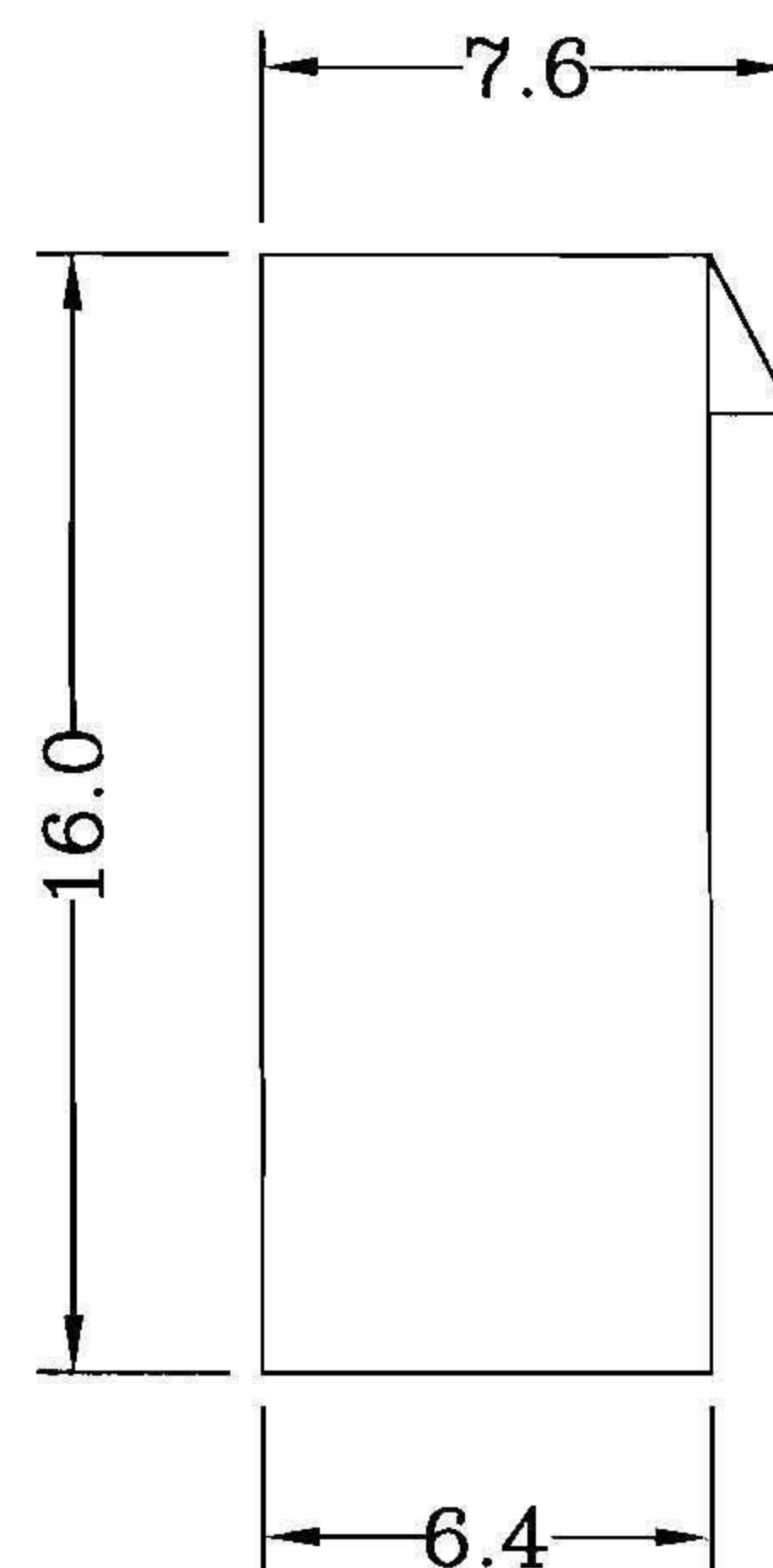
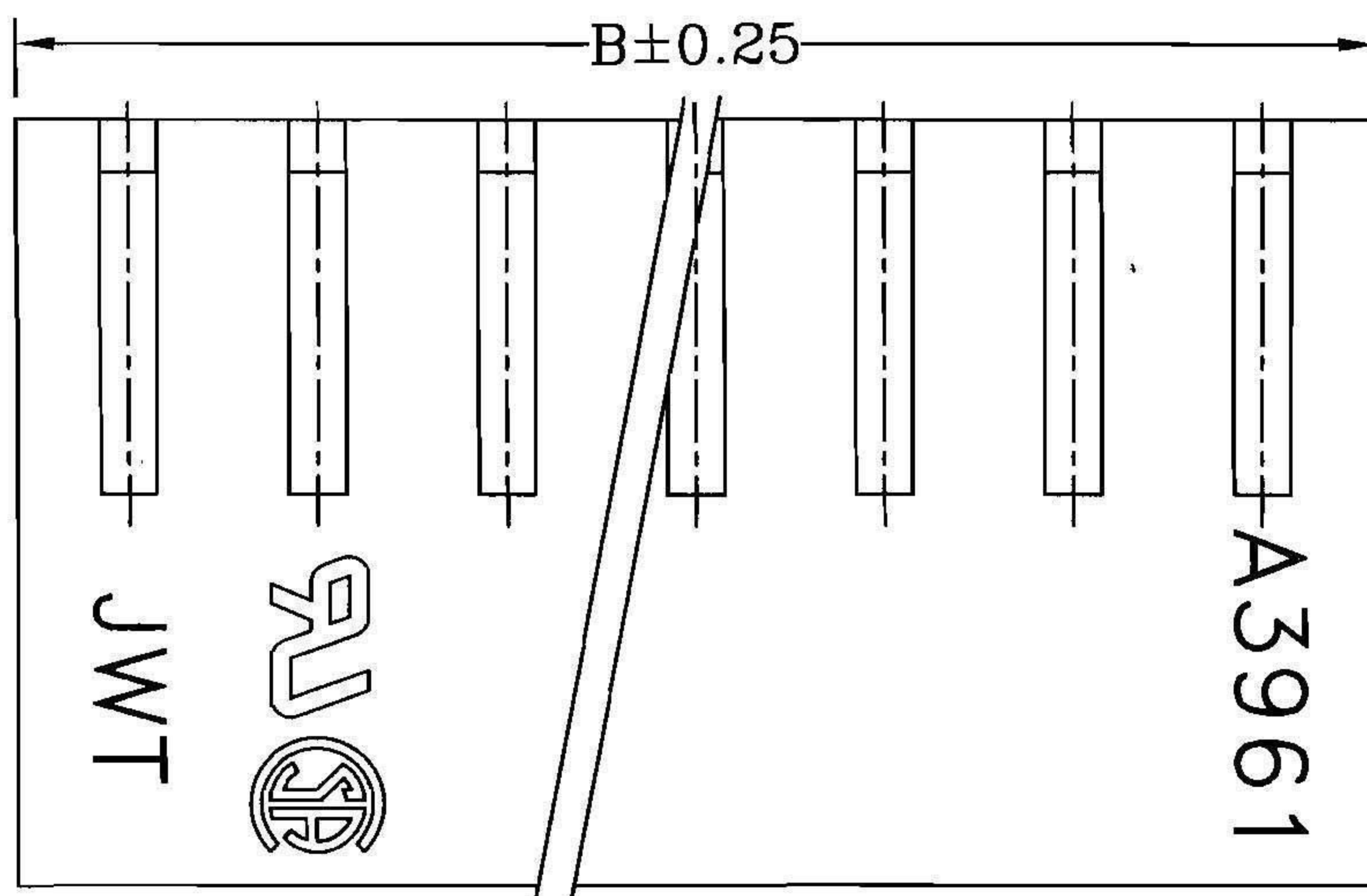
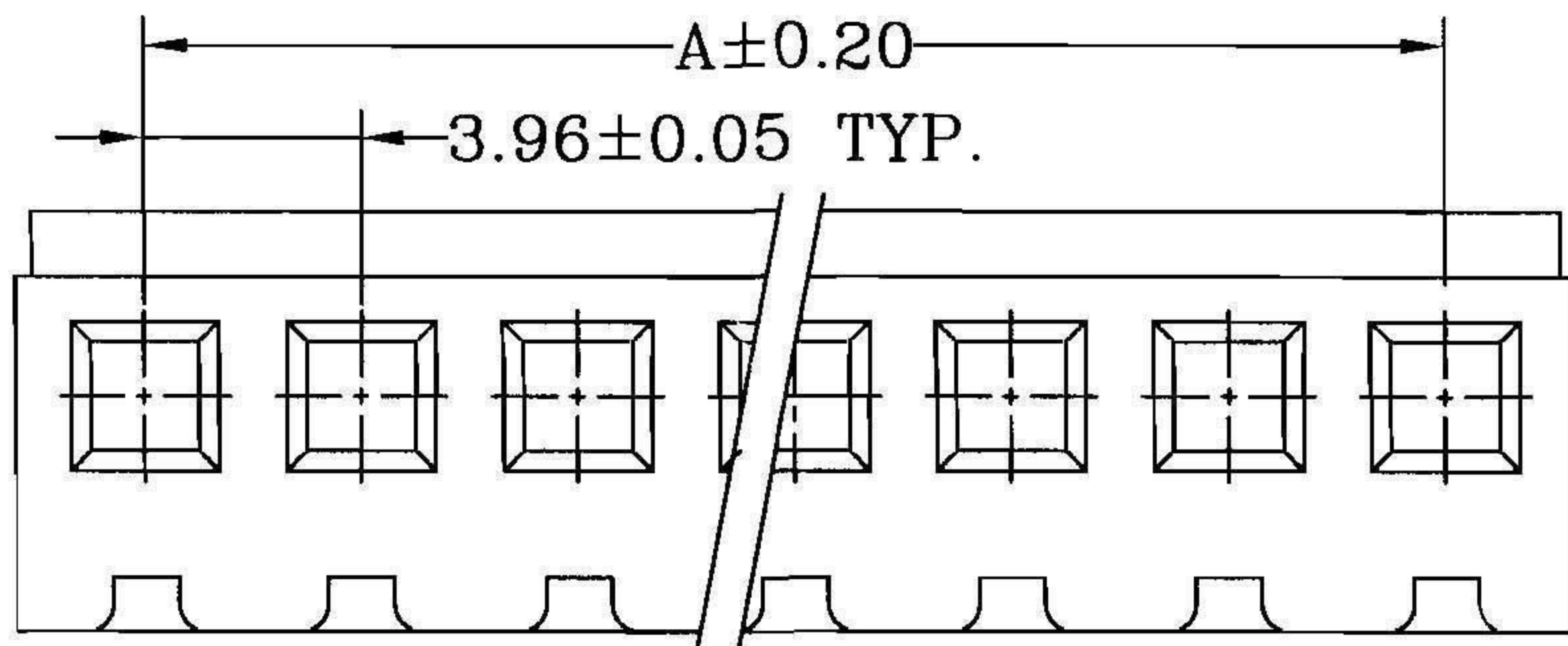
GXCON ENTERPRISE CO., LTD

DOCUMENT NO.

SERIAL NO.

WF3960HXX

Material: Nylon 66 UL 94V-2 (Natural)



Dimensional & Ordering Information:

Circuits	Dimensions		PCS/BAG
	A	B	
2	3.96	8.71	1000
3	7.92	12.67	1000
4	11.88	16.63	1000
5	15.84	20.59	1000
6	19.80	24.55	1000
7	23.76	28.51	500
8	27.72	32.47	500
9	31.68	36.43	500
10	35.64	40.39	500
11	39.60	44.35	500
12	43.56	48.31	500
13	47.52	52.27	500
14	51.48	56.23	500
15	55.44	60.19	500
16	59.40	64.15	500

REV.	ECN NO.	UNIT	TOLERANCE	PROJECTION	DRAWING	CHECK	APPROVAL
△B		mm	*** ±0.08		陈国霞 10/14/03	8	10.14 2003
△C			** ±0.15				
			* ±0.25				